

# Pendant Station (SV / 5 D)



## SV / 5 D Push Buttons :

**4 + 1 - Two Speed**

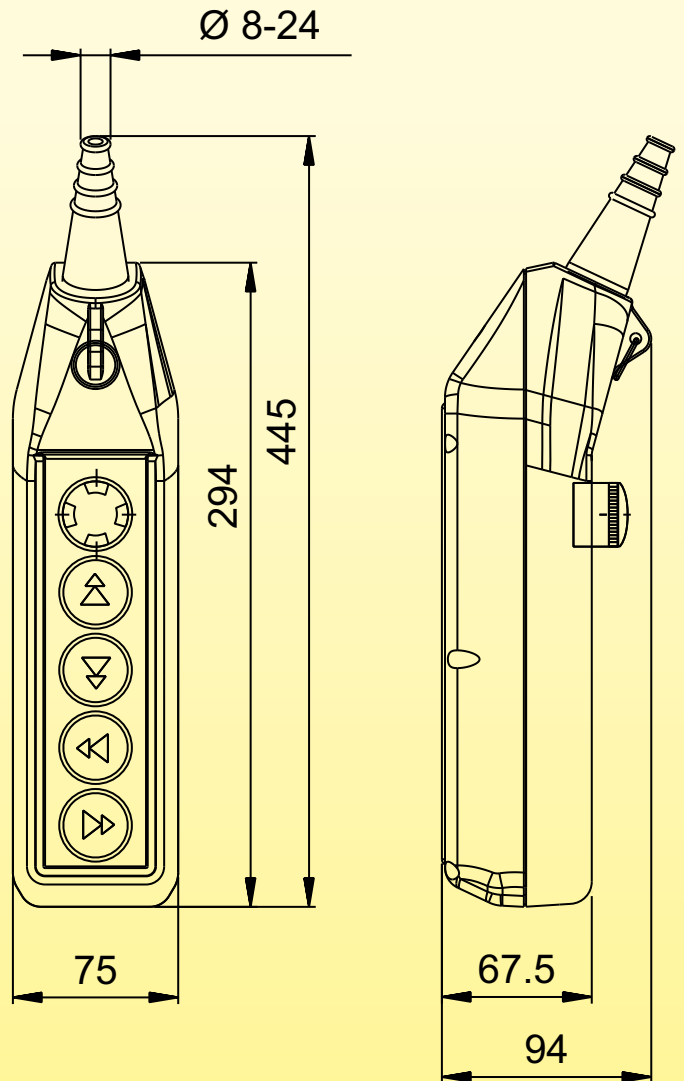
### Description :

**4 Push Button with (1 NO + 1 NO)**

**Progressive Contacts**

**+ 1 Emergency Stop with 1 NC Contact**

Single Speed	Multi Speed	SV / 5D	SV / 5D1	SV / 5D2
UP	UP	STOP	STOP	STOP
DOWN	DOWN	UP	UP	UP
		DOWN	DOWN	DOWN
		LEFT	LEFT	LEFT
		RIGHT	RIGHT	RIGHT



**Weight : 600 gm.**